



# 33. INTERNATIONAL IZOLA SPRING CUP SLOVENIA 15.-17. APRIL 2022

**INTERNATIONAL EVENT  
for  
Laser Standard – ILCA 7,  
Laser Radial – ILCA 6 (man and women),  
Laser 4.7 – ILCA 4,  
420 and  
420 Upper Austria Sailing Federation Championship 2022  
Izola, 15<sup>th</sup> to 17<sup>th</sup> of April, 2022  
SAILING INSTRUCTIONS**

## 1 RULES

- 1.1 The event will be governed by the rules as defined in *The Racing Rules of Sailing*.
- 1.2 The prescriptions of the Slovenian Sailing Federation will not apply.
- 1.3 Abbreviations: [DP] - Discretionary penalty; RC – Race Committee; SI – Sailing instructions.

## 2 NOTICES TO COMPETITORS

- 2.1 Notices to competitors will be posted on the official notice board located in front of Yacht Club Burja Izola
- 2.2 Under Rule 37, RC will communicate on VHF channel 15.

## 3 CHANGES OF SAILING INSTRUCTIONS

Any change to the SI will be posted before 9:30 on the day it will take effect, except that any change to the schedule of races will be posted by 20:00 on the day before it will take effect.

## 4 SIGNALS MADE ASHORE

- 4.1 Signals made ashore will be displayed on the signal mast in front of the Yacht Club Burja Izola.
- 4.2 When flag AP is displayed ashore, '1 minute' is replaced with 'not less than 30 minutes' in the race signal AP.

## 5 SCHEDULE OF RACES

- 5.1 Dates of racing:

Thursday	14 <sup>th</sup> April 2022	registration
Friday	15 <sup>th</sup> April 2022	racing day
Saturday	16 <sup>th</sup> April 2022	racing day
Sunday	17 <sup>th</sup> April 2022	racing day
- 5.2 The regatta consists of 9 races. Three races per day are planned. One extra race per day may be sailed, provided that no class becomes more than one race ahead of schedule.
- 5.3 The scheduled time of the warning signal for the first race each day is 10:55.
- 5.4 When there has been a long postponement and when more than one race will be held on the same day, the warning signal for the first race and each succeeding race will be made as soon as practicable.
- 5.5 To alert boats and competitors, that more than three races will be held, RC will display numeral pennant 3 on the finish mark RC boat.

## 6 CLASS FLAGS

Class flags will be:

Class	Flag
420	420 logo on white flag
ILCA 7	Red Laser logo on white flag
ILCA 6 women and man	White Laser logo on red flag
ILCA 4	4.7 logo on white flag

## 7 RACING AREAS

- 7.1 The location of racing area is in front of Izola.
- 7.2 “*Area where the boats are racing*” is defined as a field limited by external marks of outer loop and external laylines sailing the course, increased for 30 m in each external direction.
- 7.3 “*Starting area*” is defined as a field limited by starting line and to starting line parallel imaginary line, positioned 50 m downwind.

## 8 THE COURSES

- 8.1 The diagrams in Attachment show the course, the order in which marks are to be passed, and the side on which each mark is to be left.
- 8.2 No later than the warning signal, the RC may display the approximate compass bearing of the first leg.
- 8.3 The downwind gates 3s,3p and or 5s/5p may be a single mark to be left to port side.

## 9 MARKS

- 9.1 Marks 1, 2, 4, and 6 will be orange triangular buoys. Mark 3s, 3p, 5s and 5p will be orange cylindrical buoys.
- 9.2 The starting marks will be RC boats at both ends of starting line.
- 9.3 The finishing marks will be the RC boat at the starboard end and a white buoy with a blue flag on the port end.

## 10 THE START

- 10.1 Races will be started by using rule 26 with the preparatory signal given 5 minutes before the starting signal.
- 10.2 RC will display numerical pennant 1 or 2 to indicate racing on inner or outer loop as indicated in Attachment. Numerical pennant will be displayed no later than preparatory signal for the racing class.
- 10.3 The starting line will be between staffs displaying an orange flag on the starting marks.
- 10.4 Boats whose preparatory signal has not been made shall avoid the “*starting area*”. [DP]
- 10.5 A boat starting later than 4 minutes after her starting signal will be scored Did Not Start (DNS). This changes rule A4 and A5.
- 10.6 If a boat fails to start or breaks rule 30.3 or 30.4, the RC at Mark 1 may make a sound signal and hail her sail number. The hailed boat shall immediately leave the course area. If she fails to do so, she will be disqualified without a hearing and her score will not be excluded (DNE). This change rule A5.

## 11 CHANGING THE POSITION OF THE LEG OF THE COURSE

To change the next leg of the course, the RC will move the original mark (and/or the finishing line) to a new position. The change will be signalled before the leading boat has begun the leg, although the mark may not yet be in the new position. Any mark to be rounded after rounding the moved mark may be relocated without further signalling to maintain the course configuration.

## 12 THE FINISH

The finishing line will be between staffs displaying blue flags on the finishing marks.

## 13 PENALTY SYSTEM

- 13.1 A boat that has taken a penalty or retired under rule 44.1 shall complete an acknowledgement form at the race office within the protest time limit.
- 13.2 Appendix P – Immediate penalties for breaking rule 42 will apply.
- 13.3 Appendix P, rule P5, apply for class 420 only.

## **14 TIME LIMITS**

- 14.1 There will be no race time limit for the first boat finishing and sailing the course.
- 14.2 Boats failing to finish within 20 minutes after first boat sailed the course and finishes, will be scored Did Not Finish (DNF). This changes rules 35, A4 and A5.

## **15 PROTESTS AND REQUESTS FOR REDRESS**

- 15.1 Protest forms are available at the race office. Protests shall be delivered there within the protest time limit.
- 15.2 A sailor must notify the RC at the finishing line of his intent to protest, as soon as possible after finishing the race in which the alleged incident happened. This amends rule 61.
- 15.3 For all classes the protest time limit is 60 minutes after the last boat has finished the last race of the day. The same time limit applies to all protests by the RC and jury about incidents they observe in the racing area and to requests for redress. This changes rules 61.3 and 62.2.
- 15.4 Notices will be posted no later than 30 minutes after the protest time limit to inform competitors of hearings in which they are parties or named as witnesses. Hearings will be held in the jury room, located in the Yacht Club Burja Izola.
- 15.5 Notices of protests by the RC or jury will be posted to inform boats under rule 61.1(b).
- 15.6 A list of boats that, under instructions 13.2, have acknowledged breaking rule 42 or have been disqualified by the jury will be posted before the protest time limit.
- 15.7 On the last day of the regatta a request for reopening a hearing shall be delivered:
  - (a) Within the protest time limit if the party requesting reopening was informed of the decision on the previous day;
  - (b) no later than 30 minutes after the party requesting reopening was informed of the decision on that day.This changes rule 66.
- 15.8 Decisions of the jury will be final as provided in rule 70.5.

## **16 SCORING**

- 16.1 Three races are required to be completed to constitute a series.
- 16.2 (a) When fewer than 4 races have been completed, a boat's series score will be the total of her race scores.
  - (b) When from 4 to 9 races have been completed, a boat's series score will be the total of her race scores excluding her worst score.

## **17 EQUIPMENT AND MESUREMENT CHECKS**

A boat or equipment may be inspected at any time for compliance with the class rules and SI. [DP]

## **18 OFFICIAL BOATS**

Official boats will be marked as follows:

- (a) Race Committee boats      white RC flag
- (b) Jury boats                      white JURY flag
- (c) Press boats                      white PRESS flag

## **19 SUPPORT BOATS**

Team leaders, coaches and other support personnel shall stay outside "areas where boats are racing" from the time of the preparatory signal for the first class to start until all boats have finished or the RC signals a postponement, general recall or abandonment. [DP]

## **20 PRIZES**

Prizes will be awarded to the three best boats of each class.  
The prize giving ceremony will be held at the Yacht Club Burja Izola courtyard.

## **21 DISCLAIMER OF LIABILITY**

Competitors participate in the regatta entirely at their own risk. See rule 3, Decision to Race. The organizing authority of the event will not accept any liability for material damage or personal injury, or death sustained in conjunction with or prior to, during, or after the regatta.

## 22 SPECIAL PROVISIONS REGARDING SARS-COV-2 (COVID-19)

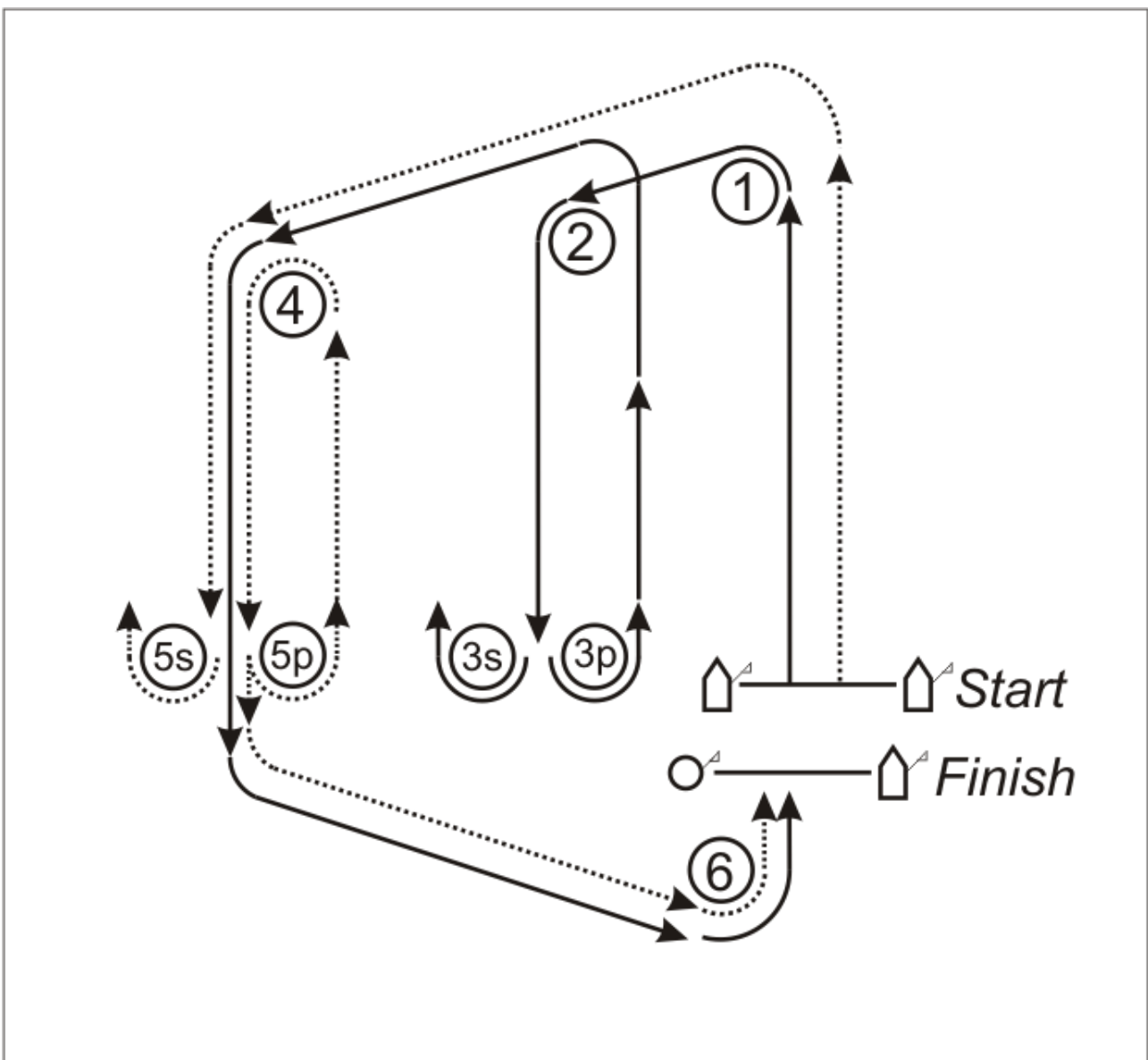
Currently valid measures are:

- Only healthy persons should attend the event,
- When socializing in case that a distance of at least 1.5 m could not be assured, everyone present should wear protective masks,
- Wearing a protective mask type IIR, FFP2 or FFP3 indoors is mandatory, except when sitting at the table in bars, restaurants, and similar,
- Disinfection of hands prior to entering indoor.

Organizing authority of the event and RC reserves the right to implement all necessary measures to be taken and if necessary, immediately applied, in regard, as per recommendation of National health authority and the Government. Competitors will be informed about such necessary measures promptly by adequate Notice on official notice board, on web site and Facebook page of Yacht Club Burja Izola.

RC will do its best to make available Notices, hearing schedules and results also on Yacht club Burja - event web page.

### Attachment



**Outer Loop Pennant 1**  
**Inner Loop Pennant 2**

**Start – 1 – 4 – 5s/5p – 4 – 5p – 6 – Finish**  
**Start – 1 – 2 – 3s/3p – 2 – 4 – 5p – 6 – Finish**